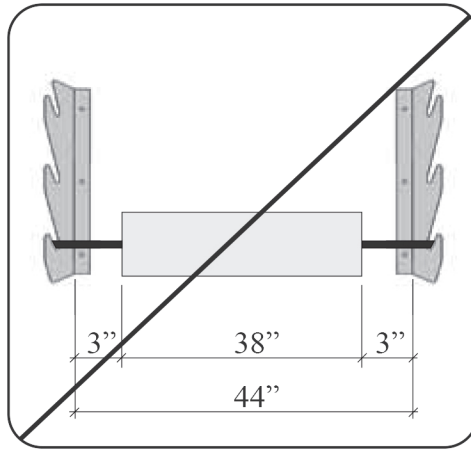
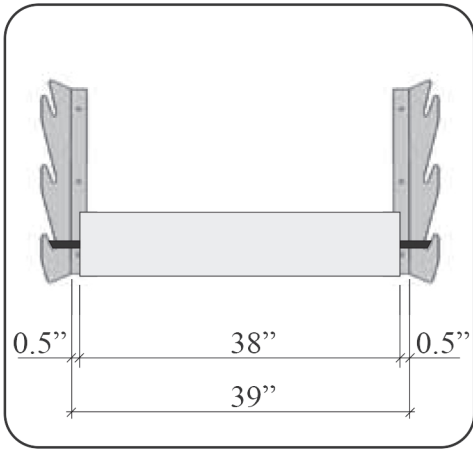
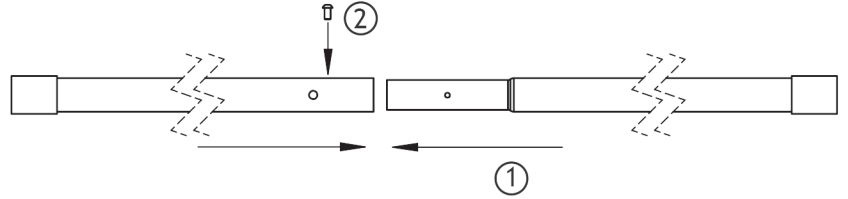
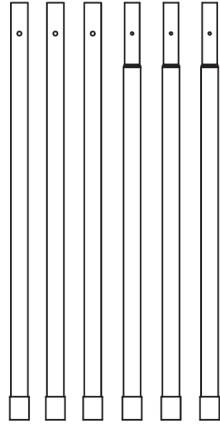
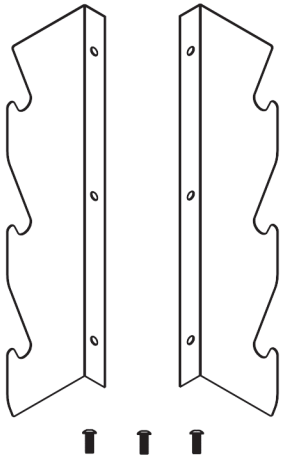


# SKU : BVR38 Wall Mount Vinyl Rack 38"

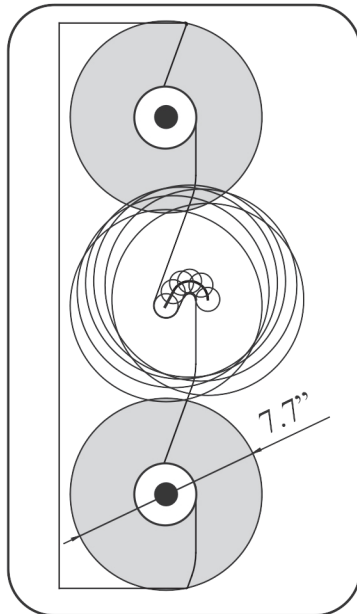
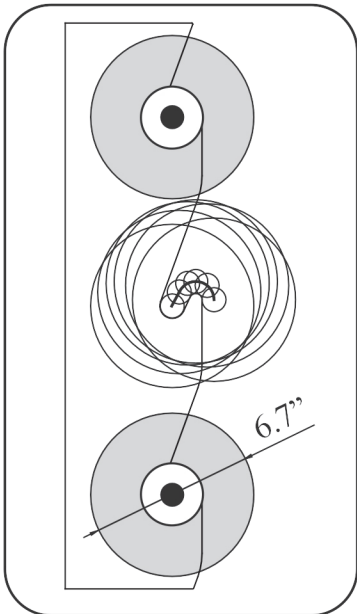
## Product Includes:

- 2 Wall Brackets with black coat finish and pre-drilled mounting holes. (1-1/2" X 5-5/8" X 23-3/16")
- 3 Stainless Steel media holder poles (42-1/2" long with 7/8" radius)



## Installation Guideline:

The space between the two brackets must be accurately measured. Leave a half-inch (1/2") gap between your vinyl roll and the bracket on both sides. If your vinyl roll is 38 inches (38") long, leave a 39 inch (39") space between the brackets. Center your vinyl roll on the steel pole, leaving a half-inch (1/2") gap on both sides.



## Vinyl Roll Diameter:

The rack supports vinyl rolls up to 7-11/16" in diameter. However, in order to freely mount and remove your vinyl rolls, we recommend that your vinyl roll diameter does not exceed 6-11/16".

## Maximum Vinyl Weight:

Once installed correctly, our vinyl rack supports a maximum weight capacity of 231 lbs. Each vinyl holder pole can support up to 77 lbs. The rack supports vinyl rolls up to 38 inches (38") in length.